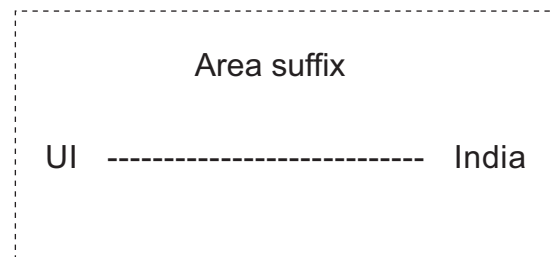


PARTS LIST

[KD-DV5104] [KD-DV5103]

* All printed circuit boards and its assemblies are not available as service parts.

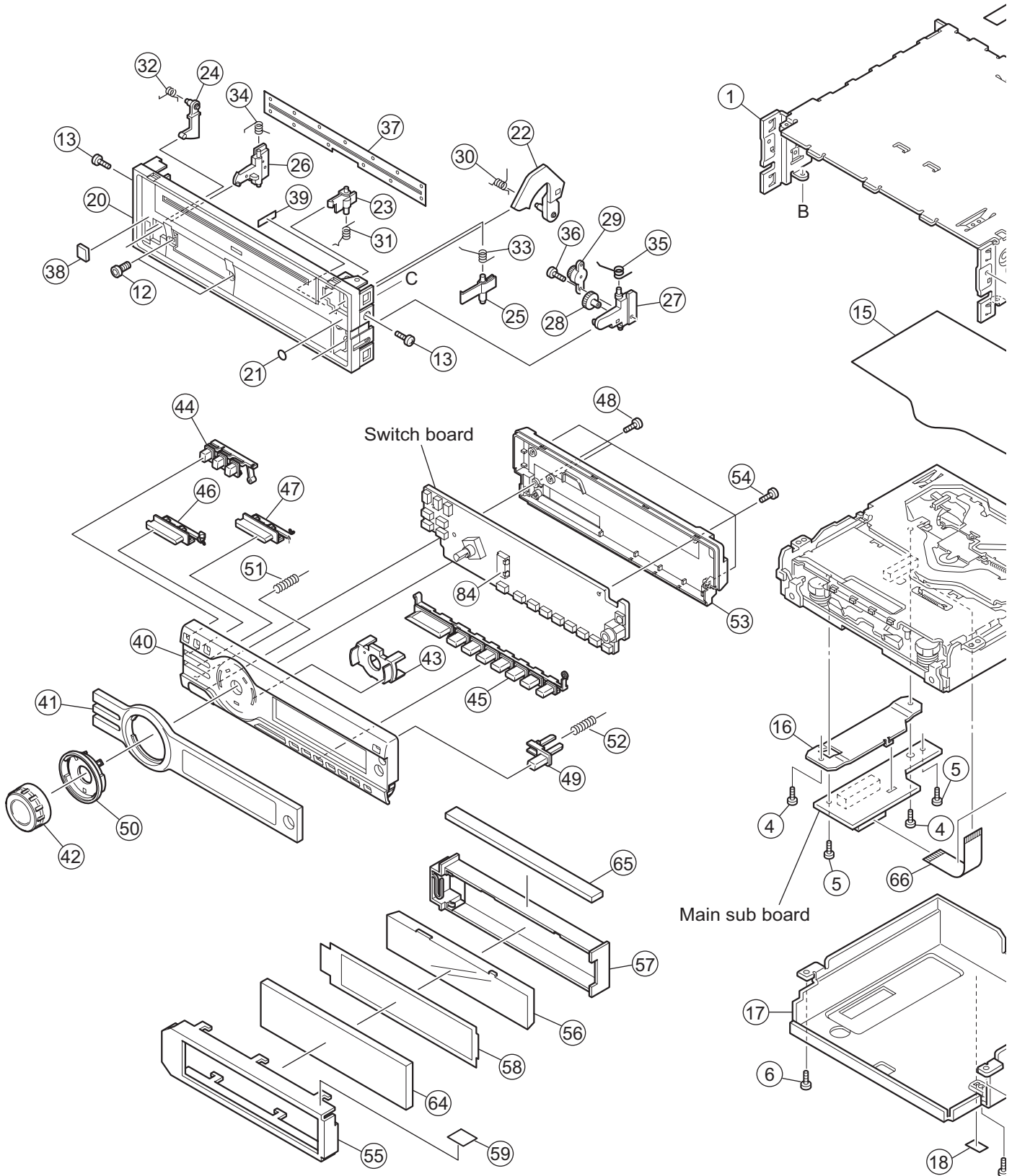


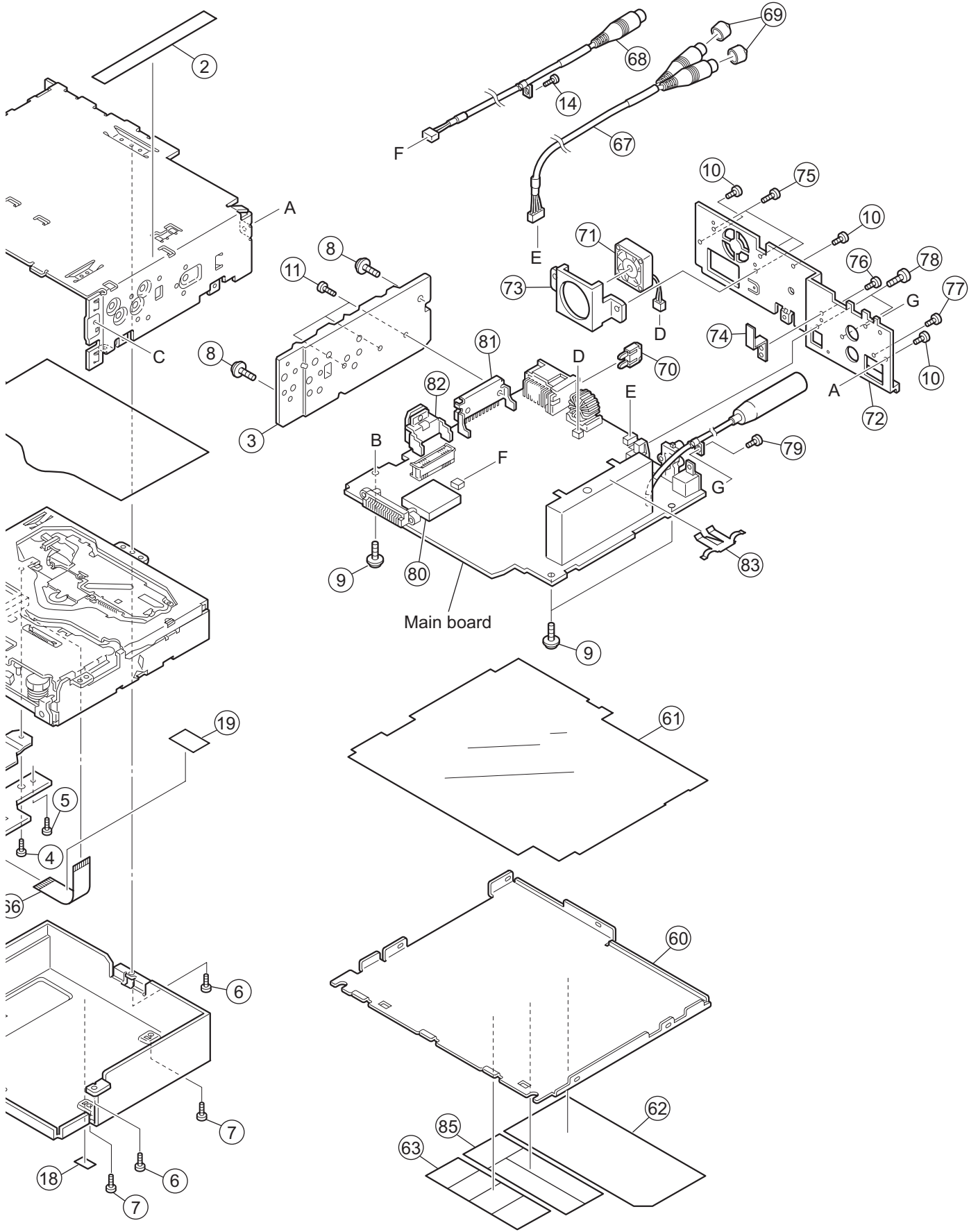
- Contents -

Exploded view of general assembly and parts list (Block No.M1)	3- 2
CD mechanism assembly and parts list (Block No.MJ)	3- 6
Electrical parts list (Block No.01~03)	3- 9
Packing materials and accessories parts list (Block No.M3)	3-16

Exploded view of general assembly and parts list

Block No. M 1 M M





General Assembly

Block No. [M][1][M][M]

Symbol No.	Part No.	Part Name	Description	Local
1	LV10774-004A	TOP CHASSIS		
2	LV40848-044A	SPACER(P)		
3	LV34061-001A	SIDE HEAT SINK		
4	QYSDST2003ZA	TAP SCREW	M2 x 3mm(x2)	
5	QYSDST2606ZA	TAP SCREW	M2.6 x 6mm(x2)	
6	QYSDST2604ZA	TAP SCREW	M2.6 x 4mm(x3)	
7	QYSDST2604ZA	TAP SCREW	M2.6 x 4mm(x2)	
8	GE40235-001A	SCREW	(x2)	
9	GE40235-004A	SCREW	(x3)	
10	QYSDST2604ZA	TAP SCREW	M2.6 x 4mm(x3)	
11	LV41200-005A	SCREW	(x3)	
12	QYSDSF2006ZA	TAP SCREW	M2 x 6mm(x2)	
13	QYSDST2004ZA	TAP SCREW	M2 x 4mm(x2)	
14	QYSDST2604ZA	TAP SCREW	M2.6 x 4mm	
15	LV34460-001A	INSULATOR		
16	GE40255-001A	SUPPORT BRACKET		
17	GE20180-001A	DUST COVER		
18	GE40218-034A	SHEET		
19	GE40278-001A	SHEET		
20	LV34065-004A	F.CHASSIS ASSY		
21	FSYH4036-098	SHEET		
22	GE30827-002A	OPEN LEVER		
23	GE30824-002A	LOCK LEVER(O.L)		
24	GE31245-002A	RELEASE LEVER		
25	GE30829-001A	LOCK LEVER(TOP)		
26	GE31607-001A	LOCK LEVER(L)		
27	GE31608-001A	LOCK LEVER(R)		
28	GE40154-001A	GEAR		
29	QZW0108-002	OIL DAMPER		
30	GE40153-001A	T.SPRING		
31	GE40157-001A	T.SPRING		
32	VKW5264-005	T.SPRING		
33	FSKW4012-002	T.SPRING		
34	LV43392-001A	T.SPRING		
35	GE40155-001A	T.SPRING		
36	QYSDSF2006ZA	TAP SCREW	M2 x 6mm	
37	GE40156-001A	BLIND		
38	LV40848-042A	SPACER(P)		
39	LV40848-043A	SPACER(P)		
40	GE31590-008A	FRONT PANEL ASSY		DV5103UI
40	GE31590-016A	FRONT PANEL ASSY		DV5104UI
41	GE31592-011A	FINDER ASSY		DV5103UI
41	GE31592-012A	FINDER ASSY		DV5104UI
42	GE40254-005A	VOLUME KNOB ASS		DV5103UI
42	GE40254-004A	VOLUME KNOB ASS		DV5104UI
43	GE31599-001A	RIM LENS		
44	GE31593-001A	D.FUNC BTN		DV5103UI
44	GE31593-008A	D.FUNC BTN		DV5104UI
45	GE20175-007A	PRESET BUTTON		DV5103UI
45	GE20175-010A	PRESET BUTTON		DV5104UI
46	GE31594-002A	UP/DOWN BTN		DV5103UI
46	GE31594-001A	UP/DOWN BTN		DV5104UI
47	GE31595-002A	SEARCH BTN		DV5103UI
47	GE31595-001A	SEARCH BTN		DV5104UI
48	VKZ4777-010	MINI SCREW		
49	GE31601-002A	EJECT BUTTON		DV5103UI
49	GE31601-005A	EJECT BUTTON		DV5104UI
50	GE31598-002A	RIM COVER		DV5103UI
50	GE31598-001A	RIM COVER		DV5104UI
51	FSKW3002-012	COMP.SPRING		
52	GE40202-012A	COMPRESSION SPRING		
53	GE10107-002A	REAR COVER		
54	VKZ4777-010	MINI SCREW	(x4)	
55	GE31603-001A	LCD CASE		
56	GE31604-001A	LCD LENS		
57	GE31605-001A	LENS CASE		
58	GE40251-002A	LIGHTING SHEET		
59	GE40218-032A	SHEET		
60	LV34058-001A	BOTTOM COVER		
61	GE31663-001A	INSULATOR		
62	GE31720-001A	NAME PLATE		DV5103UI
62	GE31717-001A	NAME PLATE		DV5104UI
63	LV41843-002A	LASER CAUTION		
64	QLD0354-001	LCD MODULE		

△	Symbol No.	Part No.	Part Name	Description	Local
	65	QNZ0772-001	RUBBER CONN		
	66	QUQ105-4510AD-E	FFC WIRE	45pin 10cm	
	67	QAM0685-001	LINE IN CABLE		
	68	QAM0683-001	COMPOSITE CABLE		
	69	VYTA500-001	PIN CAP	(x2)	
△	70	QMFZ039-150-T	FUSE	15A	
	71	QAR0294-001	FAN MOTOR		
	72	GE31609-013A	REAR BRACKET		
	73	GE40252-001A	FAN BRACKET		
	74	GE40253-001A	WIRE HOLDER		
	75	QYSDST2604ZA	TAP SCREW	M2.6 x 4mm(x2)	
	76	QYSDST2604ZA	TAP SCREW	M2.6 x 4mm	
	77	QYSDST2606ZA	TAP SCREW	M2.6 x 6mm	
	78	QYSDSF3008ZA	TAP SCREW	M3 x 8mm(x2)	
	79	QYSDST2604ZA	TAP SCREW	M2.6 x 4mm	
	80	GE40270-001A	SHIELD COVER		
	81	LV43349-002A	POWER IC BKT		
	82	LV43373-002A	REGULATOR BKT		
	83	VMA4652-001SS	EARTH PLATE		
	84	GE30854-001A	LED HOLDER		
	85	GE31683-014A	LABEL (DVD)		

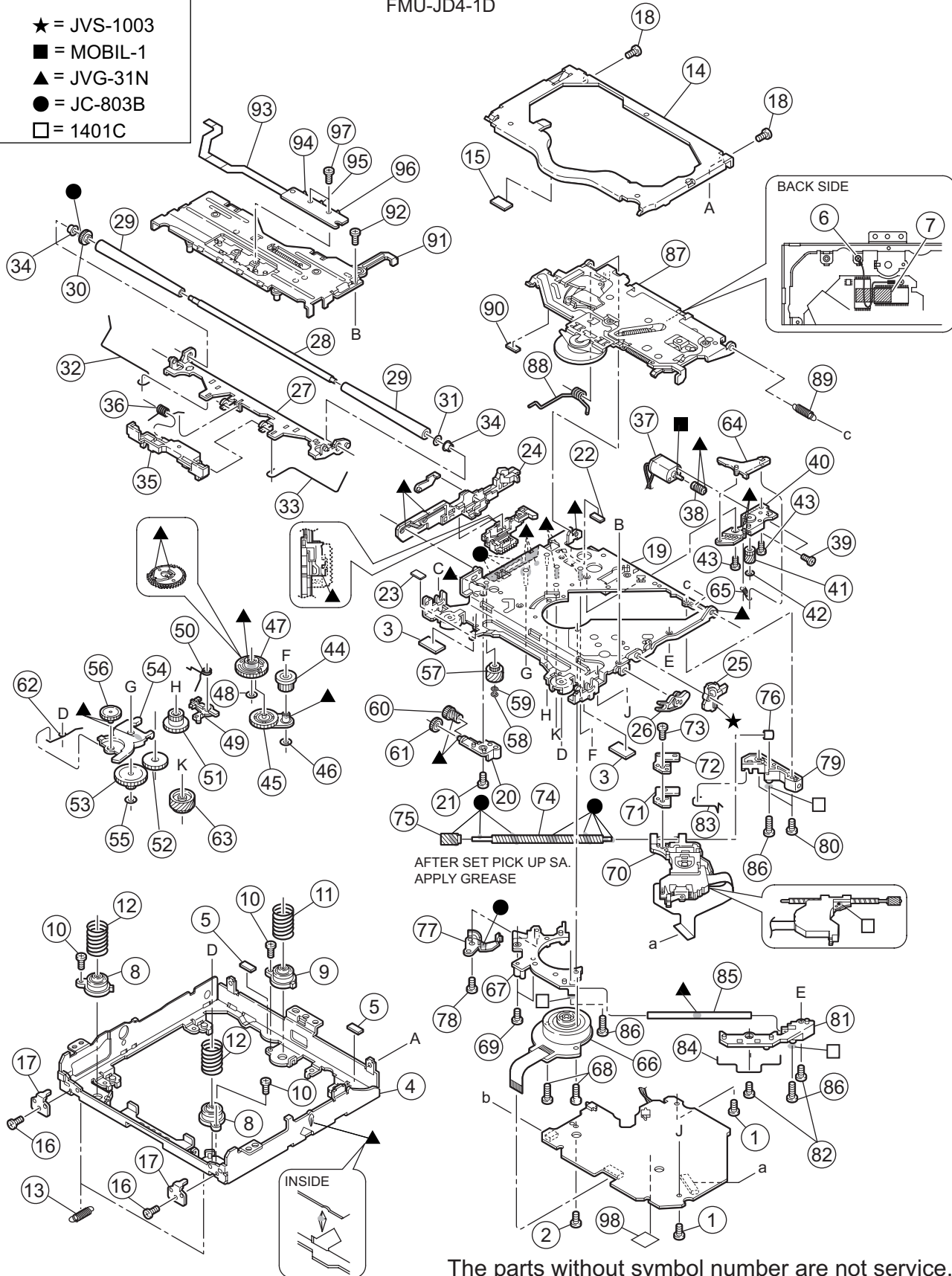
DVD mechanism assembly and parts list

Grease

- ★ = JVS-1003
- = MOBIL-1
- ▲ = JVG-31N
- = JC-803B
- = 1401C

FMU-JD4-1D

Block No. M J M M



The parts without symbol number are not service.

DVD mechanism

Block No. [M][J][M][M]

△	Symbol No.	Part No.	Part Name	Description	Local
	1	VKZ4539-026	MINI SCREW	(x2)	
	2	QYSPSFT2040Z	TAP SCREW	M2 x 4mm	
	3	LV43481-001A	COOLING RUBBER	(x2)	
	4	LV10674-001A	CHASSIS FRAME		
	5	LV30225-0J6A	SPACER	(x2)	
	6	VKZ4539-056	MINI SCREW		
	7	VYSA1R4-056	SPACER		
	8	LV33684-001A	DAMPER(F)	(x2)	
	9	LV33685-001A	DAMPER(R)		
	10	QYSDST2005Z	TAP SCREW	M2 x 5mm(x3)	
	11	LV43039-001A	DAMPER SP.(R)		
	12	LV43040-001A	DAMPER SP.(F)	(x2)	
	13	LV43041-001A	FLOATING SPRING	(x2)	
	14	LV10675-001A	TOP COVER		
	15	LV30225-0J5A	SPACER		
	16	VKZ4539-026	MINI SCREW	(x2)	
	17	LV33669-001A	STOPPER	(x2)	
	18	VKZ4539-026	MINI SCREW	(x2)	
	19	LV21297-002A	CHAS. BASE ASSY		
	20	LV33608-001A	GEAR HOLDER		
	21	VKZ4539-026	MINI SCREW		
	22	LV43561-001A	ABSORBER		
	23	LV30225-0J5A	SPACER		
	24	LV33683-003A	SLIDE CAM ASSY		
	25	LV33610-001A	FLOATING ARM		
	26	LV33611-001A	CONNECT ARM		
	27	LV33678-003A	LOADING A. ASSY		
	28	LV43049-001A	LOADING SHAFT		
	29	LV43052-003A	ROLLER	(x2)	
	30	LV33612-001A	LOADING GEAR		
	31	QYWFM124013	WASHER	4mm/1.2mm x 0.13mm	
	32	LV43053-002A	ROD(L)		
	33	LV43054-003A	ROD(R)		
	34	LV43001-001A	COLLAR	(x2)	
	35	LV21285-001A	PROTECTOR		
	36	LV43055-001A	PROTECTOR SP.		
	37	QAR0144-003	MOTOR		
	38	LV43002-002A	WORM GEAR		
	39	QYSPSPT2025M	SCREW	M2 x 2.5mm(x2)	
	40	LV33679-001A	MOTOR H. ASSY		
	41	LV33614-002A	WORM WHEEL		
	42	QYWDL1230250	SLIT WASHER	3mm/1.2mm x 0.25mm	
	43	VKZ4539-026	MINI SCREW	(x2)	
	44	LV33615-001A	GEAR 2		
	45	LV43057-003A	IDLER ARM ASSY		
	46	QYWDL1635252	SLIT WASHER	3.5mm/1.6mm x 0.25mm	
	47	LV21286-001A	CONTROL CAM		
	48	QYWDL1230250	SLIT WASHER	3mm/1.2mm x 0.25mm	
	49	LV33616-001A	LOAD.LOCK LEVER		
	50	LV43060-001A	CAM SPRING		
	51	LV43005-001A	GEAR 4		
	52	LV43006-001A	GEAR 5		
	53	LV33617-001A	GEAR 6		
	54	LV33618-002A	LOADING G. ARM		
	55	QYWDL1635252	SLIT WASHER	3.5mm/1.6mm x 0.25mm	
	56	LV43007-001A	GEAR 7		
	57	LV33619-002A	GEAR 8		
	58	LV42132-001A	E RING		
	59	QYWFM215013	WASHER	5mm/2.1mm x 0.13mm	
	60	LV33620-001A	GEAR 9		
	61	LV43008-001A	GEAR10		
	62	LV43061-001A	LOAD SPRING		
	63	LV33621-001A	FEED GEAR		
	64	LV33622-001A	TRIGGER ARM		
	65	LV43062-001A	FEED TRI.SPRING		
	66	QAR0240-001	SPINDLE MOTOR		
	67	LV21287-002A	SPINDLE BASE		
	68	QYSPSTT2065M	TAP SCREW	M2 x 6.5mm(x2)	
	69	VKZ4539-026	MINI SCREW	(x2)	
	70	QAL0647-001	DVD PICK UP		
	71	LV33623-002A	RACK PLATE		
	72	LV43009-001A	RACK SPRING		
	73	QYSPSPT1740N	SCREW	M1.7 x 4mm	
	74	LV43037-001A	LEAD SCREW		

Symbol No.	Part No.	Part Name	Description	Local
75	LV43010-001A	L.S.GEAR		
76	LV43063-001A	L.S.COLLAR		
77	LV43011-001A	THRUST SPRING		
78	QYSPSFT2040Z	TAP SCREW	M2 x 4mm	
79	LV33624-001A	HOLDER(M)		
80	VKZ4539-026	MINI SCREW	(x2)	
81	LV21288-001A	HOLDER(S)		
82	VKZ4539-026	MINI SCREW	(x2)	
83	LV43064-001A	ROD(M)		
84	LV43065-001A	ROD(S)		
85	LV43066-001A	SUB SHAFT		
86	VKZ4730-001	SPECIAL SCREW	(x3)	
87	LV21298-006A	CLAMPER UNIT		
88	LV43070-001A	CLAMPER SPRING		
89	LV43355-001A	CLAMPER2 SPRING		
90	LV30225-0J6A	SPACER		
91	LV21299-006A	FRONT UNIT		
92	VKZ4539-026	MINI SCREW		
93	LVB30012-001A	SW FPC		
94	NSW0187-001	SWITCH		
95	NSW0187-001	SWITCH		
96	NSW0187-001	SWITCH		
97	VKZ4539-025	MINI SCREW	(x2)	
98	LV44232-001A	GRAPHITE SHEET		

Electrical parts list

Main board

Block No. [0][1]

△ Symbol No.	Part No.	Part Name	Description	Local
△ IC31	TB2118F-X	PLL IC		
IC161	TDA7416	IC		
IC301	TB2906HQ	IC		
IC401	SN74AHCT1G08V-X	IC		
IC402	TOTX177L	OPTICAL JACK		
IC411	MM1510XN-X	IC		
△ IC721	UPD784217AGC310	IC		
IC722	BR24L16F-W-X	IC		
IC723	IC-PST3433U-X	IC		
IC801	HD74HC126FP-X	IC		
△ IC901	HA13164A	IC		
IC921	BA33BC0FP-X	IC		
IC922	BD9781HFP-W	DC CONVERTOR		
IC961	SN74LVC32APW-X	IC		
IC962	SN74HCT32APW-X	IC		
Q4	2SB624/4-X	TRANSISTOR		
Q5	UN2211-X	TRANSISTOR		
Q7	2SB709A/R/-X	TRANSISTOR		
Q11	UN2211-X	TRANSISTOR		
Q14	UN2211-X	TRANSISTOR		
Q31	UN2211-X	TRANSISTOR		
Q301	UN2213-X	DIGI TRANSISTOR		
Q302	UN2113-X	DIGI TRANSISTOR		
Q303	UN2211-X	TRANSISTOR		
Q304	UN2211-X	TRANSISTOR		
Q344	KTD1304-X	TRANSISTOR		
Q354	KTD1304-X	TRANSISTOR		
Q701	2SB709A/R/-X	TRANSISTOR		
Q781	UN2111-X	TRANSISTOR		
Q783	UN2111-X	TRANSISTOR		
Q821	UN2211-X	TRANSISTOR		
Q822	UN2111-X	TRANSISTOR		
Q823	2SD1994A/RS/-T	TRANSISTOR		
Q881	2SD601A/R/-X	TRANSISTOR		
Q885	UN2211-X	TRANSISTOR		
Q891	UN2211-X	TRANSISTOR		
Q903	2SB709A/R/-X	TRANSISTOR		
Q904	UN2211-X	TRANSISTOR		
Q976	UN2213-X	DIGI TRANSISTOR		
Q977	2SB709A/R/-X	TRANSISTOR		
D1	MA111-X	SI DIODE		
D2	MA111-X	SI DIODE		
D3	MA152WK-X	SI DIODE		
D4	MA111-X	SI DIODE		
D301	UDZS11B-X	Z DIODE		
D302	MA111-X	SI DIODE		
D305	RB160M-30-X	SB DIODE		
D308	RB160M-30-X	SB DIODE		
D344	MA111-X	SI DIODE		
D354	MA111-X	SI DIODE		
D401	RB160M-30-X	SB DIODE		
D701	MA8062/M/-X	Z DIODE		
D702	MA8062/M/-X	Z DIODE		
D703	MA8062/M/-X	Z DIODE		
D704	MA8062/M/-X	Z DIODE		
D705	MA8062/M/-X	Z DIODE		
D706	MA8062/M/-X	Z DIODE		
D707	MA8062/M/-X	Z DIODE		
D709	MA8062/M/-X	Z DIODE		
D710	MA8062/M/-X	Z DIODE		
D711	MA8062/M/-X	Z DIODE		
D716	MA8062/M/-X	Z DIODE		
D717	MA8062/M/-X	Z DIODE		
D719	SLR-56VC3F	DIODE C.M		
D731	MA111-X	SI DIODE		
D781	MA152WA-X	DIODE		
D782	MA152WA-X	DIODE		
D783	UDZS11B-X	Z DIODE		
D801	RB160M-30-X	SB DIODE		
D821	UDZS12B-X	Z DIODE		

△ Symbol No.	Part No.	Part Name	Description	Local
D851	CRS03-W	SB DIODE		
D852	CRS03-W	SB DIODE		
D885	MA111-X	SI DIODE		
D891	MA152WA-X	DIODE		
△ D901	1N5401-F64	DIODE		
D903	MA111-X	SI DIODE		
D906	UDZS5.1B-X	Z DIODE		
D921	1A3G-T1	SI DIODE		
D922	RB051L-40-X	SB DIODE		
D981	RB160M-30-X	SB DIODE		
D982	RB160M-30-X	SB DIODE		
C2	NCB31HK-102X	C CAPACITOR	1000pF 50V K	
C3	NCB31HK-103X	C CAPACITOR	0.01uF 50V K	
C4	QEKJ1AM-227Z	E CAPACITOR	220uF 10V M	
C5	QEKJ1CM-476Z	E CAPACITOR	47uF 16V M	
C6	NCB31EK-473X	C CAPACITOR	0.047uF 25V K	
C7	NCB31HK-103X	C CAPACITOR	0.01uF 50V K	
C8	QEKJ1CM-226Z	E CAPACITOR	22uF 16V M	
C9	NCB31HK-103X	C CAPACITOR	0.01uF 50V K	
C12	QEKJ1HM-104Z	E CAPACITOR	0.1uF 50V M	
C28	NCS31HJ-7R0X	C CAPACITOR	7pF 50V J	
C29	NDC31HJ-100X	C CAPACITOR	10pF 50V J	
C30	NDC31HJ-100X	C CAPACITOR	10pF 50V J	
C31	NCB31HK-103X	C CAPACITOR	0.01uF 50V K	
C32	NCB31HK-103X	C CAPACITOR	0.01uF 50V K	
C33	NCB31HK-102X	C CAPACITOR	1000pF 50V K	
C34	NCB31HK-103X	C CAPACITOR	0.01uF 50V K	
C35	QFV61HJ-473Z	MF CAPACITOR	0.047uF 50V J	
C36	NCB31HK-102X	C CAPACITOR	1000pF 50V K	
C37	NCB31HK-272X	C CAPACITOR	2700pF 50V K	
C38	NCB31HK-103X	C CAPACITOR	0.01uF 50V K	
C39	NCS31HJ-101X	C CAPACITOR	100pF 50V J	
C40	NDC31HJ-470X	C CAPACITOR	47pF 50V J	
C41	QEKJ1CM-106Z	E CAPACITOR	10uF 16V M	
C42	NCB31EK-473X	C CAPACITOR	0.047uF 25V K	
C43	QEKJ1AM-227Z	E CAPACITOR	220uF 10V M	
C47	NCB31HK-103X	C CAPACITOR	0.01uF 50V K	
C48	NCS31HJ-470X	C CAPACITOR	47pF 50V J	
C50	NCS31HJ-101X	C CAPACITOR	100pF 50V J	
C51	NCS31HJ-331X	C CAPACITOR	330pF 50V J	
C82	NCB31HK-123X	C CAPACITOR	0.012uF 50V K	
C83	QEKJ1HM-105Z	E CAPACITOR	1uF 50V M	
C84	NCB31HK-122X	C CAPACITOR	1200pF 50V K	
C92	NCB31HK-123X	C CAPACITOR	0.012uF 50V K	
C93	QEKJ1HM-105Z	E CAPACITOR	1uF 50V M	
C94	NCB31HK-122X	C CAPACITOR	1200pF 50V K	
C99	QEKJ1CM-226Z	E CAPACITOR	22uF 16V M	
C155	NCB31AK-474X	C CAPACITOR	0.47uF 10V K	
C161	QEKJ1AM-107Z	E CAPACITOR	100uF 10V M	
C162	NCB31CK-473X	C CAPACITOR	0.047uF 16V K	
C163	NFV81CM-105X	MF CAPACITOR	1uF 16V M	
C164	NFV81CM-105X	MF CAPACITOR	1uF 16V M	
C165	NFV81CM-105X	MF CAPACITOR	1uF 16V M	
C166	QEKJ1CM-106Z	E CAPACITOR	10uF 16V M	
C168	QEKJ1HM-225Z	E CAPACITOR	2.2uF 50V M	
C171	QEKJ1HM-225Z	E CAPACITOR	2.2uF 50V M	
C172	QTE1H55-225Z	E CAPACITOR	2.2uF 50V	
C174	QEKJ1HM-225Z	E CAPACITOR	2.2uF 50V M	
C175	NCB31HK-471X	C CAPACITOR	470pF 50V K	
C177	QEKJ1HM-225Z	E CAPACITOR	2.2uF 50V M	
C181	QEKJ1HM-225Z	E CAPACITOR	2.2uF 50V M	
C182	QTE1H55-225Z	E CAPACITOR	2.2uF 50V	
C184	QEKJ1HM-225Z	E CAPACITOR	2.2uF 50V M	
C185	NCB31HK-471X	C CAPACITOR	470pF 50V K	
C187	QEKJ1HM-225Z	E CAPACITOR	2.2uF 50V M	
C301	QEKJ1CM-476Z	E CAPACITOR	47uF 16V M	
C302	NCB31HK-103X	C CAPACITOR	0.01uF 50V K	
C311	NBE21CM-475X	TA E CAPACITOR	4.7uF 16V M	
C312	QEKJ1CM-476Z	E CAPACITOR	47uF 16V M	
C313	NCB31HK-103X	C CAPACITOR	0.01uF 50V K	
C314	QEKJ1HM-225Z	E CAPACITOR	2.2uF 50V M	
C315	QEKJ1CM-226Z	E CAPACITOR	22uF 16V M	
C316	NCB31HK-103X	C CAPACITOR	0.01uF 50V K	
C328	NFV81CM-105X	MF CAPACITOR	1uF 16V M	
C329	NCS31HJ-101X	C CAPACITOR	100pF 50V J	

△ Symbol No.	Part No.	Part Name	Description	Local	△ Symbol No.	Part No.	Part Name	Description	Local
C331	NCB31HK-223X	C CAPACITOR	0.022uF 50V K		C981	NCB31CK-104X	C CAPACITOR	0.1uF 16V K	
C338	NFV81CM-105X	MF CAPACITOR	1uF 16V M		C997	NCB31HK-103X	C CAPACITOR	0.01uF 50V K	
C339	NCS31HJ-101X	C CAPACITOR	100pF 50V J		C999	NCS31HJ-101X	C CAPACITOR	100pF 50V J	
C346	QEKJ1EM-475Z	E CAPACITOR	4.7uF 25V M						
C348	NFV81CM-105X	MF CAPACITOR	1uF 16V M		R1	NRSA63J-473X	MG RESISTOR	47kΩ 1/16W J	
C349	NCS31HJ-101X	C CAPACITOR	100pF 50V J		R2	NRS181J-220X	MG RESISTOR	22Ω 1/8W J	
C356	QEKJ1EM-475Z	E CAPACITOR	4.7uF 25V M		R3	NRS181J-220X	MG RESISTOR	22Ω 1/8W J	
C358	NFV81CM-105X	MF CAPACITOR	1uF 16V M		R4	NRSA63J-473X	MG RESISTOR	47kΩ 1/16W J	
C359	NCS31HJ-101X	C CAPACITOR	100pF 50V J		R5	NRSA63J-472X	MG RESISTOR	4.7kΩ 1/16W J	
C401	NCS31HJ-220X	C CAPACITOR	22pF 50V J		R6	NRSA63J-332X	MG RESISTOR	3.3kΩ 1/16W J	
C402	NCB31HK-103X	C CAPACITOR	0.01uF 50V K		R7	NRSA63J-473X	MG RESISTOR	47kΩ 1/16W J	
C403	NCB31HK-103X	C CAPACITOR	0.01uF 50V K		R8	NRS181J-0R0X	MG RESISTOR	0Ω 1/8W J	
C404	QEKJ0JM-107Z	E CAPACITOR	100uF 6.3V M		R9	NRSA63J-100X	MG RESISTOR	10Ω 1/16W J	
C405	NCS31HJ-220X	C CAPACITOR	22pF 50V J		R10	NRSA63J-273X	MG RESISTOR	27kΩ 1/16W J	
C406	NCB31HK-103X	C CAPACITOR	0.01uF 50V K		R12	NRSA63J-0R0X	MG RESISTOR	0Ω 1/16W J	
C411	QEKJ1AM-227Z	E CAPACITOR	220uF 10V M		R14	NRSA63J-103X	MG RESISTOR	10kΩ 1/16W J	
C412	NCB31EK-473X	C CAPACITOR	0.047uF 25V K		R31	NRSA63J-470X	MG RESISTOR	47Ω 1/16W J	
C413	QCZ0202-155Z	C CAPACITOR	1.5uF 25V Z		R32	NRSA63J-0R0X	MG RESISTOR	0Ω 1/16W J	
C414	QERF0JM-337Z	E CAPACITOR	330uF 6.3V M		R33	NRSA63J-101X	MG RESISTOR	100Ω 1/16W J	
C415	NCS31HJ-101X	C CAPACITOR	100pF 50V J		R34	NRSA63J-103X	MG RESISTOR	10kΩ 1/16W J	
C416	NCB31HK-103X	C CAPACITOR	0.01uF 50V K		R35	NRSA63J-393X	MG RESISTOR	39kΩ 1/16W J	
C701	NCB31HK-103X	C CAPACITOR	0.01uF 50V K		R36	NRSA63J-221X	MG RESISTOR	220Ω 1/16W J	
C702	NCB31CK-104X	C CAPACITOR	0.1uF 16V K		R37	NRSA63J-471X	MG RESISTOR	470Ω 1/16W J	
C721	NCB31EK-473X	C CAPACITOR	0.047uF 25V K		R38	NRSA63J-100X	MG RESISTOR	10Ω 1/16W J	
C722	QEKJ1AM-227Z	E CAPACITOR	220uF 10V M		R39	NRSA63J-622X	MG RESISTOR	6.2kΩ 1/16W J	
C723	NCS31HJ-471X	C CAPACITOR	470pF 50V J		R40	NRSA63J-472X	MG RESISTOR	4.7kΩ 1/16W J	
C724	NCS31HJ-471X	C CAPACITOR	470pF 50V J		R42	NRSA63J-103X	MG RESISTOR	10kΩ 1/16W J	
C725	QEKJ1AM-227Z	E CAPACITOR	220uF 10V M		R43	NRSA63J-103X	MG RESISTOR	10kΩ 1/16W J	
C726	NDC31HJ-8R0X	C CAPACITOR	8pF 50V J		R44	NRSA63J-103X	MG RESISTOR	10kΩ 1/16W J	
C727	NDC31HJ-270X	C CAPACITOR	27pF 50V J		R81	NRSA63J-153X	MG RESISTOR	15kΩ 1/16W J	
C728	NDC31HJ-270X	C CAPACITOR	27pF 50V J		R82	NRSA63J-273X	MG RESISTOR	27kΩ 1/16W J	
C729	NDC31HJ-220X	C CAPACITOR	22pF 50V J		R91	NRSA63J-153X	MG RESISTOR	15kΩ 1/16W J	
C730	QEKJ0JM-476Z	E CAPACITOR	47uF 6.3V M		R92	NRSA63J-273X	MG RESISTOR	27kΩ 1/16W J	
C731	NCB31CK-103X	C CAPACITOR	0.01uF 16V K		R141	NRSA63J-473X	MG RESISTOR	47kΩ 1/16W J	
C732	QEKJ1AM-227Z	E CAPACITOR	220uF 10V M		R151	NRSA63J-473X	MG RESISTOR	47kΩ 1/16W J	
C733	NCS31HJ-471X	C CAPACITOR	470pF 50V J		R155	NRSA63J-471X	MG RESISTOR	470Ω 1/16W J	
C781	QEKJ0JM-476Z	E CAPACITOR	47uF 6.3V M		R161	NRSA63J-0R0X	MG RESISTOR	0Ω 1/16W J	
C783	QEKJ1CM-476Z	E CAPACITOR	47uF 16V M		R162	NRSA63J-473X	MG RESISTOR	47kΩ 1/16W J	
C802	NCS31HJ-220X	C CAPACITOR	22pF 50V J		R163	NRSA63J-473X	MG RESISTOR	47kΩ 1/16W J	
C803	NCB31CK-473X	C CAPACITOR	0.047uF 16V K		R164	NRSA63J-473X	MG RESISTOR	47kΩ 1/16W J	
C804	NCS31HJ-220X	C CAPACITOR	22pF 50V J		R166	NRSA63J-221X	MG RESISTOR	220Ω 1/16W J	
C821	QEKJ1CM-106Z	E CAPACITOR	10uF 16V M		R167	NRSA63J-222X	MG RESISTOR	2.2kΩ 1/16W J	
C822	QEKJ1CM-106Z	E CAPACITOR	10uF 16V M		R168	NRSA63J-222X	MG RESISTOR	2.2kΩ 1/16W J	
C823	NCB31HK-103X	C CAPACITOR	0.01uF 50V K		R169	NRSA63J-222X	MG RESISTOR	2.2kΩ 1/16W J	
C851	NCB31CK-104X	C CAPACITOR	0.1uF 16V K		R170	NRSA63J-222X	MG RESISTOR	2.2kΩ 1/16W J	
C881	QEKJ1CM-226Z	E CAPACITOR	22uF 16V M		R302	NRSA63J-0R0X	MG RESISTOR	0Ω 1/16W J	
C885	QEKJ1CM-106Z	E CAPACITOR	10uF 16V M		R303	NRSA63J-0R0X	MG RESISTOR	0Ω 1/16W J	
C892	NCB31CK-104X	C CAPACITOR	0.1uF 16V K		R304	NRSA63J-473X	MG RESISTOR	47kΩ 1/16W J	
C901	QEZ0722-338	E CAPACITOR	3300uF		R305	NRSA63J-103X	MG RESISTOR	10kΩ 1/16W J	
C902	QEKJ1HM-225Z	E CAPACITOR	2.2uF 50V M		R306	NRSA63J-273X	MG RESISTOR	27kΩ 1/16W J	
C903	QEKJ1CM-106Z	E CAPACITOR	10uF 16V M		R307	NRSA63J-100X	MG RESISTOR	10Ω 1/16W J	
C904	NCF31CZ-104X	C CAPACITOR	0.1uF 16V Z		R308	NRSA63J-222X	MG RESISTOR	2.2kΩ 1/16W J	
C905	QEKJ1AM-107Z	E CAPACITOR	100uF 10V M		R327	NRSA63J-0R0X	MG RESISTOR	0Ω 1/16W J	
C906	NCF31CZ-104X	C CAPACITOR	0.1uF 16V Z		R328	NRSA63J-473X	MG RESISTOR	47kΩ 1/16W J	
C907	NCB31HK-103X	C CAPACITOR	0.01uF 50V K		R329	NRSA63J-513X	MG RESISTOR	51kΩ 1/16W J	
C908	QEKJ1AM-227Z	E CAPACITOR	220uF 10V M		R330	NRSA63J-102X	MG RESISTOR	1kΩ 1/16W J	
C909	QEKJ1CM-107Z	E CAPACITOR	100uF 16V M		R337	NRSA63J-0R0X	MG RESISTOR	0Ω 1/16W J	
C910	NCB31HK-102X	C CAPACITOR	1000pF 50V K		R338	NRSA63J-473X	MG RESISTOR	47kΩ 1/16W J	
C911	NCB31HK-102X	C CAPACITOR	1000pF 50V K		R339	NRSA63J-513X	MG RESISTOR	51kΩ 1/16W J	
C912	QEKJ1CM-226Z	E CAPACITOR	22uF 16V M		R340	NRSA63J-102X	MG RESISTOR	1kΩ 1/16W J	
C913	NCB31EK-473X	C CAPACITOR	0.047uF 25V K		R343	NRSA63J-473X	MG RESISTOR	47kΩ 1/16W J	
C921	QEKJ1AM-227Z	E CAPACITOR	220uF 10V M		R344	NRSA63J-222X	MG RESISTOR	2.2kΩ 1/16W J	
C922	QEKJ1AM-107Z	E CAPACITOR	100uF 10V M		R345	NRSA63J-102X	MG RESISTOR	1kΩ 1/16W J	
C925	QEKJ1AM-227Z	E CAPACITOR	220uF 10V M		R346	NRSA63J-101X	MG RESISTOR	100Ω 1/16W J	
C926	QEXL1AM-476Z	E CAPACITOR	47uF 10V M		R347	NRSA63J-0R0X	MG RESISTOR	0Ω 1/16W J	
C927	QEZ0595-477Z	E CAPACITOR	470uF		R348	NRSA63J-473X	MG RESISTOR	47kΩ 1/16W J	
C928	NCF31CZ-104X	C CAPACITOR	0.1uF 16V Z		R349	NRSA63J-513X	MG RESISTOR	51kΩ 1/16W J	
C929	NCB31HK-472X	C CAPACITOR	4700pF 50V K		R350	NRSA63J-102X	MG RESISTOR	1kΩ 1/16W J	
C930	NCF31CZ-104X	C CAPACITOR	0.1uF 16V Z		R353	NRSA63J-473X	MG RESISTOR	47kΩ 1/16W J	
C961	QEKJ1AM-227Z	E CAPACITOR	220uF 10V M		R354	NRSA63J-222X	MG RESISTOR	2.2kΩ 1/16W J	
C962	QEKJ1AM-227Z	E CAPACITOR	220uF 10V M		R355	NRSA63J-102X	MG RESISTOR	1kΩ 1/16W J	
C963	QEKJ1AM-227Z	E CAPACITOR	220uF 10V M		R356	NRSA63J-101X	MG RESISTOR	100Ω 1/16W J	
C964	QEKJ1AM-227Z	E CAPACITOR	220uF 10V M		R357	NRSA63J-0R0X	MG RESISTOR	0Ω 1/16W J	
C965	QEKJ1AM-227Z	E CAPACITOR	220uF 10V M		R358	NRSA63J-473X	MG RESISTOR	47kΩ 1/16W J	
C966	NCB31CK-104X	C CAPACITOR	0.1uF 16V K		R359	NRSA63J-513X	MG RESISTOR	51kΩ 1/16W J	
C967	NCB31CK-104X	C CAPACITOR	0.1uF 16V K		R360	NRSA63J-102X	MG RESISTOR	1kΩ 1/16W J	
C968	NCB31EK-473X	C CAPACITOR	0.047uF 25V K		R401	NRSA63J-471X	MG RESISTOR	470Ω 1/16W J	
C969	NCB31EK-473X	C CAPACITOR	0.047uF 25V K		R402	NRSA63J-100X	MG RESISTOR	10Ω 1/16W J	

△ Symbol No.	Part No.	Part Name	Description	Local	△ Symbol No.	Part No.	Part Name	Description	Local
R403	NRSA63J-471X	MG RESISTOR	470Ω 1/16W J		R807	NRSA63J-331X	MG RESISTOR	330Ω 1/16W J	
R404	NRSA63J-1R0X	MG RESISTOR	1Ω 1/16W J		R808	NRSA63J-223X	MG RESISTOR	22kΩ 1/16W J	
R411	NRSA63J-0R0X	MG RESISTOR	0Ω 1/16W J		R809	NRSA63J-101X	MG RESISTOR	100Ω 1/16W J	
R412	NRSA63D-682X	MG RESISTOR	6.8kΩ 1/16W D		R810	NRSA63J-473X	MG RESISTOR	47kΩ 1/16W J	
R413	NRSA63J-100X	MG RESISTOR	10Ω 1/16W J		R821	NRSA63J-100X	MG RESISTOR	10Ω 1/16W J	
R414	NRSA63J-102X	MG RESISTOR	1kΩ 1/16W J		R822	NRSA63J-471X	MG RESISTOR	470Ω 1/16W J	
R415	NRSA63J-750X	MG RESISTOR	75Ω 1/16W J		R841	NRSA63J-473X	MG RESISTOR	47kΩ 1/16W J	
R416	NRSA63J-0R0X	MG RESISTOR	0Ω 1/16W J		R844	NRSA63J-473X	MG RESISTOR	47kΩ 1/16W J	
R417	NRSA63D-181X	MG RESISTOR	180Ω 1/16W D		R851	NRSA63J-472X	MG RESISTOR	4.7kΩ 1/16W J	
R704	NRSA63J-271X	MG RESISTOR	270Ω 1/16W J		R881	NRSA63J-473X	MG RESISTOR	47kΩ 1/16W J	
R705	NRSA63J-271X	MG RESISTOR	270Ω 1/16W J		R882	NRSA63J-103X	MG RESISTOR	10kΩ 1/16W J	
R706	NRSA63J-271X	MG RESISTOR	270Ω 1/16W J		R883	NRSA63J-104X	MG RESISTOR	100kΩ 1/16W J	
R707	NRSA63J-103X	MG RESISTOR	10kΩ 1/16W J		R885	NRSA63J-473X	MG RESISTOR	47kΩ 1/16W J	
R708	NRS181J-331X	MG RESISTOR	330Ω 1/8W J		R886	NRSA63J-472X	MG RESISTOR	4.7kΩ 1/16W J	
R709	NRSA63J-562X	MG RESISTOR	5.6kΩ 1/16W J		R887	NRSA63J-103X	MG RESISTOR	10kΩ 1/16W J	
R710	NRSA63J-102X	MG RESISTOR	1kΩ 1/16W J		R888	NRSA63J-0R0X	MG RESISTOR	0Ω 1/16W J	
R711	NRSA63J-103X	MG RESISTOR	10kΩ 1/16W J		R889	NRSA63J-0R0X	MG RESISTOR	0Ω 1/16W J	
R712	NRSA63J-104X	MG RESISTOR	100kΩ 1/16W J		R891	NRSA63J-473X	MG RESISTOR	47kΩ 1/16W J	
R713	NRSA63J-103X	MG RESISTOR	10kΩ 1/16W J		R892	NRSA63J-102X	MG RESISTOR	1kΩ 1/16W J	
R714	NRSA63J-104X	MG RESISTOR	100kΩ 1/16W J		R894	NRSA63J-0R0X	MG RESISTOR	0Ω 1/16W J	
R715	NRSA63J-271X	MG RESISTOR	270Ω 1/16W J		R901	QRE142J-102X	C RESISTOR	1kΩ 1/4W J	
R716	NRSA63J-271X	MG RESISTOR	270Ω 1/16W J		R902	NRSA63J-912X	MG RESISTOR	9.1kΩ 1/16W J	
R718	NRSA63J-103X	MG RESISTOR	10kΩ 1/16W J		R903	NRSA63J-472X	MG RESISTOR	4.7kΩ 1/16W J	
R719	NRSA63J-102X	MG RESISTOR	1kΩ 1/16W J		R909	NRSA63J-473X	MG RESISTOR	47kΩ 1/16W J	
R721	NRSA63J-222X	MG RESISTOR	2.2kΩ 1/16W J		R910	NRSA63J-222X	MG RESISTOR	2.2kΩ 1/16W J	
R722	NRSA63J-222X	MG RESISTOR	2.2kΩ 1/16W J		R914	NRS181J-221X	MG RESISTOR	220Ω 1/8W J	
R725	NRSA63J-473X	MG RESISTOR	47kΩ 1/16W J		R921	NRS181J-0R0X	MG RESISTOR	0Ω 1/8W J	
R726	NRSA63J-103X	MG RESISTOR	10kΩ 1/16W J		R923	NRSA63J-393X	MG RESISTOR	39kΩ 1/16W J	
R727	NRSA63J-562X	MG RESISTOR	5.6kΩ 1/16W J		R924	NRSA63J-103X	MG RESISTOR	10kΩ 1/16W J	
R728	NRSA63J-472X	MG RESISTOR	4.7kΩ 1/16W J		R925	NRSA63J-154X	MG RESISTOR	150kΩ 1/16W J	
R729	NRSA63J-0R0X	MG RESISTOR	0Ω 1/16W J		R926	NRSA63J-394X	MG RESISTOR	390kΩ 1/16W J	
R732	NRSA63J-222X	MG RESISTOR	2.2kΩ 1/16W J		R927	NRSA63J-0R0X	MG RESISTOR	0Ω 1/16W J	
R733	NRSA63J-103X	MG RESISTOR	10kΩ 1/16W J		R928	NRSA63J-473X	MG RESISTOR	47kΩ 1/16W J	
R735	NRSA63J-0R0X	MG RESISTOR	0Ω 1/16W J		R961	NRS181J-0R0X	MG RESISTOR	0Ω 1/8W J	
R736	NRSA63J-222X	MG RESISTOR	2.2kΩ 1/16W J		R962	NRSA63J-101X	MG RESISTOR	100Ω 1/16W J	
R737	NRSA63J-222X	MG RESISTOR	2.2kΩ 1/16W J		R967	NRS181J-0R0X	MG RESISTOR	0Ω 1/8W J	
R738	NRSA63J-472X	MG RESISTOR	4.7kΩ 1/16W J		R968	NRS181J-0R0X	MG RESISTOR	0Ω 1/8W J	
R739	NRSA63J-472X	MG RESISTOR	4.7kΩ 1/16W J		R969	NRS181J-0R0X	MG RESISTOR	0Ω 1/8W J	
R740	NRSA63J-222X	MG RESISTOR	2.2kΩ 1/16W J		R973	NRSA63J-103X	MG RESISTOR	10kΩ 1/16W J	
R743	NRSA63J-473X	MG RESISTOR	47kΩ 1/16W J		R974	NRSA63J-103X	MG RESISTOR	10kΩ 1/16W J	
R744	NRSA63J-821X	MG RESISTOR	820Ω 1/16W J		R975	NRSA63J-103X	MG RESISTOR	10kΩ 1/16W J	
R745	NRSA63J-106X	MG RESISTOR	10MΩ 1/16W J		R976	NRSA63J-563X	MG RESISTOR	56kΩ 1/16W J	
R746	NRSA63J-473X	MG RESISTOR	47kΩ 1/16W J		R977	NRSA63J-183X	MG RESISTOR	18kΩ 1/16W J	
R749	NRSA63J-473X	MG RESISTOR	47kΩ 1/16W J		R981	NRS181J-222X	MG RESISTOR	2.2kΩ 1/8W J	
R750	NRSA63J-473X	MG RESISTOR	47kΩ 1/16W J		R982	NRS181J-222X	MG RESISTOR	2.2kΩ 1/8W J	
R751	NRSA63J-333X	MG RESISTOR	33kΩ 1/16W J		RA31	NRZ0065-222X	NET RESISTOR	2.2kΩ	
R755	NRSA63J-103X	MG RESISTOR	10kΩ 1/16W J		RA723	NRZ0065-103X	NET RESISTOR	10kΩ	
R756	NRSA63J-222X	MG RESISTOR	2.2kΩ 1/16W J						
R757	NRSA63J-473X	MG RESISTOR	47kΩ 1/16W J		L1	NQL334J-4R7X	COIL	4.7uH J	
R758	NRSA63J-473X	MG RESISTOR	47kΩ 1/16W J		L31	NQL114K-470X	INDUCITOR	47uH K	
R759	NRSA63J-473X	MG RESISTOR	47kΩ 1/16W J		L401	NQR0007-002X	FERRITE BEADS		
R760	NRSA63J-472X	MG RESISTOR	4.7kΩ 1/16W J		L411	NQL114K-470X	INDUCITOR	47uH K	
R761	NRSA63J-472X	MG RESISTOR	4.7kΩ 1/16W J		L721	NQL38DK-330X	COIL	33uH K	
R762	NRSA63J-472X	MG RESISTOR	4.7kΩ 1/16W J		L722	NQL114K-470X	INDUCITOR	47uH K	
R763	NRSA63J-103X	MG RESISTOR	10kΩ 1/16W J		L901	QQR1378-002	COIL		
R765	NRSA63J-103X	MG RESISTOR	10kΩ 1/16W J		L902	NQL56CK-220X	COIL	22uH K	
R766	NRSA63J-473X	MG RESISTOR	47kΩ 1/16W J		L924	NQL56CK-220X	COIL	22uH K	
R768	NRSA63J-103X	MG RESISTOR	10kΩ 1/16W J		L925	NQL71EM-330X	COIL	33uH M	
R769	NRSA63J-473X	MG RESISTOR	47kΩ 1/16W J		L927	NQLB7GM-100X	COIL	10uH M	
R770	NRSA63J-102X	MG RESISTOR	1kΩ 1/16W J						
R771	NRSA63J-392X	MG RESISTOR	3.9kΩ 1/16W J		CN141	QGA2006C1-04	CONNECTOR	W-B (1-4)	
R772	NRSA63J-392X	MG RESISTOR	3.9kΩ 1/16W J		CN411	QGA2501F1-02	CONNECTOR	W-B (1-2)	
R773	NRSA63J-392X	MG RESISTOR	3.9kΩ 1/16W J		CN701	QNZ0605-001	CAR CONNECTOR		
R774	NRSA63J-472X	MG RESISTOR	4.7kΩ 1/16W J		CN821	QGA2001C1-02	CONNECTOR	W-B (1-2)	
R775	NRSA63J-472X	MG RESISTOR	4.7kΩ 1/16W J		CN901	QNZ0607-001	CAR CONNECTOR		
R776	NRSA63J-472X	MG RESISTOR	4.7kΩ 1/16W J		CN961	QGB2027M3-30S	CONNECTOR	B-B (1-30)	
R777	NRSA63J-102X	MG RESISTOR	1kΩ 1/16W J		CN962	QGF0534F1-45X	CONNECTOR	FFC/FPC (1-45)	
R779	NRSA63J-222X	MG RESISTOR	2.2kΩ 1/16W J		CN963	QGB2027L8-30X	CONNECTOR	B-B (1-30)	
R780	NRSA63J-222X	MG RESISTOR	2.2kΩ 1/16W J		J331	QNN0519-001	PIN JACK		
R781	NRSA63J-471X	MG RESISTOR	470Ω 1/16W J		J801	QNZ0095-001	CONNECTOR		
R784	NRSA63J-222X	MG RESISTOR	2.2kΩ 1/16W J		K401	NQR0007-002X	FERRITE BEADS		
R799	NRSA63J-222X	MG RESISTOR	2.2kΩ 1/16W J		K402	NQR0007-002X	FERRITE BEADS		
R801	NRSA63J-101X	MG RESISTOR	100Ω 1/16W J		K411	NQR0201-004X	FERRITE BEADS		
R802	NRSA63J-473X	MG RESISTOR	47kΩ 1/16W J		K922	NQR0201-004X	FERRITE BEADS		
R803	NRSA63J-223X	MG RESISTOR	22kΩ 1/16W J		PP2	QZW0010-001	STYLE PIN		
R804	NRSA63J-104X	MG RESISTOR	100kΩ 1/16W J		S701	QSW0451-001	DETECT SW		
R805	NRSA63J-103X	MG RESISTOR	10kΩ 1/16W J		S702	QSW0451-001	DETECT SW		
R806	NRSA63J-104X	MG RESISTOR	100kΩ 1/16W J		S723	QSW1049-001Z	TACT SW		

Symbol No.	Part No.	Part Name	Description	Local
TH721	NAD0028-103X	N THERMISTOR	10kΩ	
TU21	QAU0312-002	TUNER PACK		
W21	QAM0105-003	CAR CABLE		
X31	QAX0616-001Z	CRYSTAL	10.250MHz	
X721	QAX0617-001Z	CRYSTAL	12.500MHz	
X722	QAX0401-001	CRYSTAL	32.768KHz	

Switch board

Block No. [0][2]

Symbol No.	Part No.	Part Name	Description	Local
IC601	PT6523LQ-L	LCD DRIVER		
IC602	RPM7338-V4	RM.RECEIVER		
Q640	2SB624/4/-X	TRANSISTOR		
Q641	UN2211-X	TRANSISTOR		
D601	SML-310VT/JK/-X	LED		
D602	SML-310VT/JK/-X	LED		
D603	SML-310VT/JK/-X	LED		
D604	SML-310VT/JK/-X	LED		
D605	SML-310VT/JK/-X	LED		
D606	SML-310VT/JK/-X	LED		
D607	SML-310VT/JK/-X	LED		
D608	SML-310VT/JK/-X	LED		
D609	SML-310VT/JK/-X	LED		
D610	SML-310VT/JK/-X	LED		
D611	SML-310VT/JK/-X	LED		
D612	SML-310VT/JK/-X	LED		
D613	SML-310VT/JK/-X	LED		
D614	SML-310VT/JK/-X	LED		
D615	SML-310VT/JK/-X	LED		
D616	SML-310VT/JK/-X	LED		
D617	SML-310VT/JK/-X	LED		
D618	SML-310VT/JK/-X	LED		
D619	SML-310VT/JK/-X	LED		
D640	MA152WK-X	SI DIODE		
D641	UDZS5.1B-X	Z DIODE		
D642	MA111-X	SI DIODE		
D643	MA8062/M/-X	Z DIODE		
D645	NSPW310BS/BRS/	LED		
D646	NSPW310BS/BRS/	LED		

C601	NCB31HK-223X	C CAPACITOR	0.022uF 50V K	
C602	NCS31HJ-681X	C CAPACITOR	680pF 50V J	
C603	NBE20JM-106X	TA E CAPACITOR	10uF 6.3V M	
C611	NCB31HK-123X	C CAPACITOR	0.012uF 50V K	
C612	NBE20JM-475X	TA E CAPACITOR	4.7uF 6.3V M	
R601	NRSA63J-821X	MG RESISTOR	820Ω 1/16W J	
R602	NRSA63J-821X	MG RESISTOR	820Ω 1/16W J	
R603	NRSA63J-122X	MG RESISTOR	1.2kΩ 1/16W J	
R604	NRSA63J-182X	MG RESISTOR	1.8kΩ 1/16W J	
R605	NRSA63J-272X	MG RESISTOR	2.7kΩ 1/16W J	
R606	NRSA63J-392X	MG RESISTOR	3.9kΩ 1/16W J	
R607	NRSA63J-821X	MG RESISTOR	820Ω 1/16W J	
R608	NRSA63J-821X	MG RESISTOR	820Ω 1/16W J	
R609	NRSA63J-122X	MG RESISTOR	1.2kΩ 1/16W J	
R610	NRSA63J-182X	MG RESISTOR	1.8kΩ 1/16W J	
R611	NRSA63J-272X	MG RESISTOR	2.7kΩ 1/16W J	
R612	NRSA63J-392X	MG RESISTOR	3.9kΩ 1/16W J	
R613	NRSA63J-821X	MG RESISTOR	820Ω 1/16W J	
R614	NRSA63J-821X	MG RESISTOR	820Ω 1/16W J	
R630	NRSA63J-122X	MG RESISTOR	1.2kΩ 1/16W J	
R631	NRSA63J-122X	MG RESISTOR	1.2kΩ 1/16W J	
R632	NRSA63J-122X	MG RESISTOR	1.2kΩ 1/16W J	
R633	NRSA63J-122X	MG RESISTOR	1.2kΩ 1/16W J	
R634	NRSA63J-271X	MG RESISTOR	270Ω 1/16W J	
R636	NRSA63J-271X	MG RESISTOR	270Ω 1/16W J	
R638	NRSA63J-471X	MG RESISTOR	470Ω 1/16W J	
R640	NRSA02J-331X	MG RESISTOR	330Ω 1/10W J	
R641	NRSA02J-391X	MG RESISTOR	390Ω 1/10W J	
R642	NRSA02J-331X	MG RESISTOR	330Ω 1/10W J	

Symbol No.	Part No.	Part Name	Description	Local
R643	NRSA02J-391X	MG RESISTOR	390Ω 1/10W J	
R644	NRSA63J-471X	MG RESISTOR	470Ω 1/16W J	
R646	NRSA63J-471X	MG RESISTOR	470Ω 1/16W J	
R648	NRSA63J-271X	MG RESISTOR	270Ω 1/16W J	
R651	NRSA63J-222X	MG RESISTOR	2.2kΩ 1/16W J	
R652	NRSA63J-222X	MG RESISTOR	2.2kΩ 1/16W J	
R653	NRSA63J-103X	MG RESISTOR	10kΩ 1/16W J	
R654	NRSA63J-103X	MG RESISTOR	10kΩ 1/16W J	
R655	NRSA63J-103X	MG RESISTOR	10kΩ 1/16W J	
R656	NRSA63J-103X	MG RESISTOR	10kΩ 1/16W J	
R657	NRSA63J-513X	MG RESISTOR	51kΩ 1/16W J	
R658	NRSA63J-184X	MG RESISTOR	180kΩ 1/16W J	
R660	NRSA02J-391X	MG RESISTOR	390Ω 1/10W J	
R661	NRSA02J-391X	MG RESISTOR	390Ω 1/10W J	
R670	NRSA63J-0R0X	MG RESISTOR	0Ω 1/16W J	
R672	NRSA02J-471X	MG RESISTOR	470Ω 1/10W J	
R673	NRSA02J-473X	MG RESISTOR	47kΩ 1/10W J	
R674	NRSA02J-102X	MG RESISTOR	1kΩ 1/10W J	
R691	NRSA63J-103X	MG RESISTOR	10kΩ 1/16W J	
R692	NRSA63J-471X	MG RESISTOR	470Ω 1/16W J	

CN601	NNZ0085-001	CAR CONNECTOR		
EN601	QSW1115-002	ROTARY ENCODER		
S601	NSW0206-001X	TACT SWITCH		
S602	NSW0206-001X	TACT SWITCH		
S603	NSW0206-001X	TACT SWITCH		
S604	NSW0206-001X	TACT SWITCH		
S605	NSW0206-001X	TACT SWITCH		
S606	NSW0206-001X	TACT SWITCH		
S607	NSW0206-001X	TACT SWITCH		
S608	NSW0206-001X	TACT SWITCH		
S609	NSW0206-001X	TACT SWITCH		
S610	NSW0206-001X	TACT SWITCH		
S611	NSW0206-001X	TACT SWITCH		
S612	NSW0206-001X	TACT SWITCH		
S613	NSW0206-001X	TACT SWITCH		
S614	NSW0206-001X	TACT SWITCH		
S616	NSW0206-001X	TACT SWITCH		
S617	NSW0206-001X	TACT SWITCH		

Mechanism control board

Block No. [0][3]

Symbol No.	Part No.	Part Name	Description	Local
IC201	BA5835FM-X	IC		
IC251	BD6671FM-X	IC		
IC301	MN2DS0003AA-H	IC		
IC302	BA00HC5WF-X	IC		
IC304	S-80827CNNB-G-W	IC		
IC398	SG32M90TFIR3	IC(MICRO C ROM)		
IC398	SG32M90TFIR31B	IC(PROGRAMED)		
IC399	K4S281632F-UC75	IC(DIGITAL)		
IC399	or EDS1216AATA-75	IC(DIGITAL)		
IC401	AK4385ET-X	IC		
IC411	NJM4565V-X	IC		
IC481	BR93L66F-W-X	IC		
Q101	2SB1424/R/-W	TRANSISTOR		
Q102	2SC4617/R/-X	TRANSISTOR		
Q103	2SB1424/R/-W	TRANSISTOR		
Q104	2SC4617/R/-X	TRANSISTOR		
Q105	DTA114EE-X	DIGI TRANSISTOR		
Q231	DTC114EE-X	DIGI TRANSISTOR		
Q301	DTC144EE-X	DIGI TRANSISTOR		
Q302	DTC144EE-X	DIGI TRANSISTOR		
C1	NCB31CK-104X	C CAPACITOR	0.1uF 16V K	
C2	NCB31CK-104X	C CAPACITOR	0.1uF 16V K	
C3	NCB31CK-104X	C CAPACITOR	0.1uF 16V K	
C4	NCB31CK-104X	C CAPACITOR	0.1uF 16V K	
C5	NCB31CK-104X	C CAPACITOR	0.1uF 16V K	
C6	NCB31CK-104X	C CAPACITOR	0.1uF 16V K	

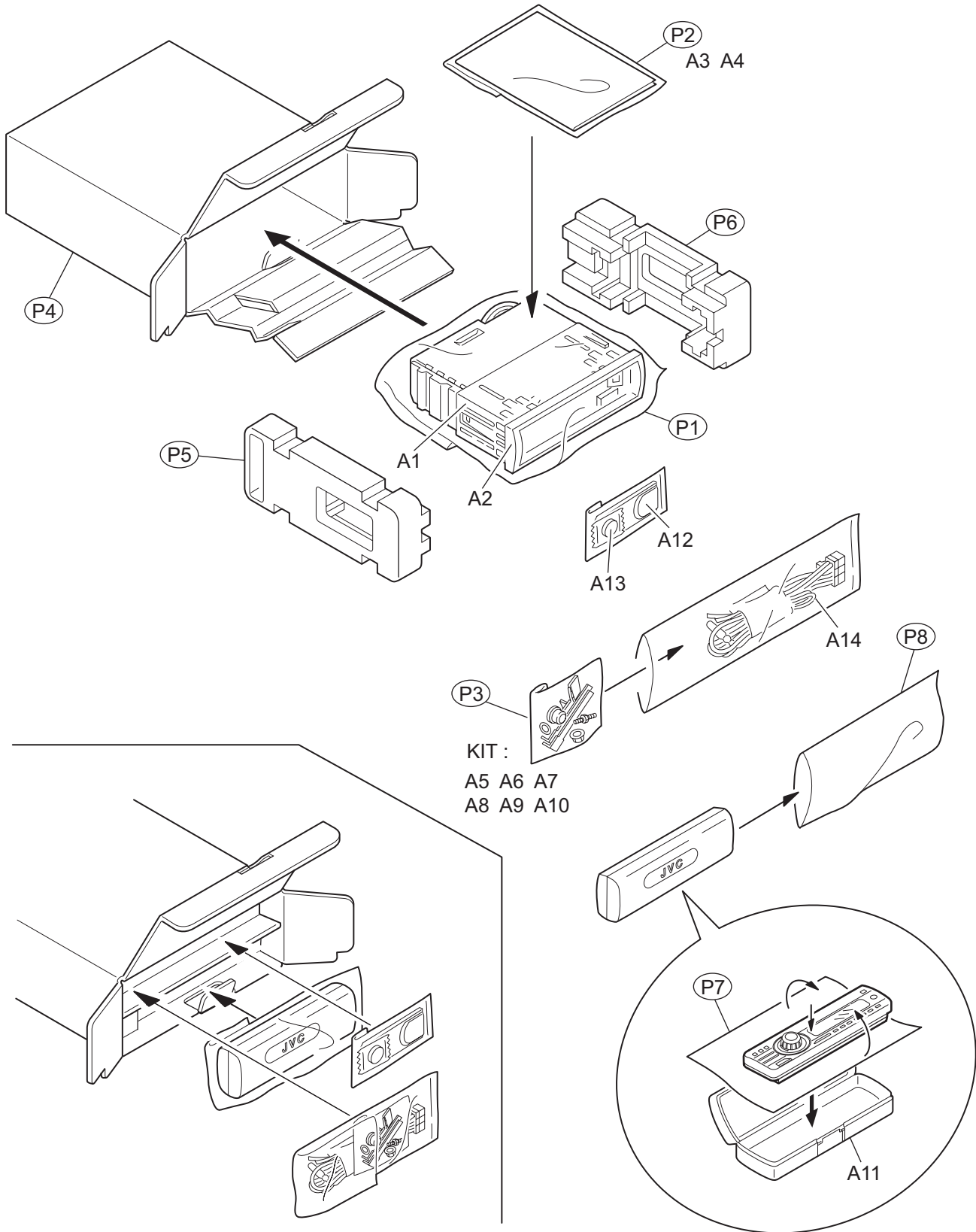
Symbol No.	Part No.	Part Name	Description	Local	Symbol No.	Part No.	Part Name	Description	Local
C7	NCB31CK-104X	C CAPACITOR	0.1uF 16V K		C333	NCB31CK-104X	C CAPACITOR	0.1uF 16V K	
C8	NCB31CK-104X	C CAPACITOR	0.1uF 16V K		C334	NCB31CK-104X	C CAPACITOR	0.1uF 16V K	
C9	NCB31CK-104X	C CAPACITOR	0.1uF 16V K		C335	NCB31CK-104X	C CAPACITOR	0.1uF 16V K	
C10	NCB31CK-104X	C CAPACITOR	0.1uF 16V K		C337	NCB31HK-183X	C CAPACITOR	0.018uF 50V K	
C11	NCB31CK-104X	C CAPACITOR	0.1uF 16V K		C338	NCB31HK-562X	C CAPACITOR	5600pF 50V K	
C12	NCB31CK-104X	C CAPACITOR	0.1uF 16V K		C339	NCB31CK-104X	C CAPACITOR	0.1uF 16V K	
C13	NCB31CK-104X	C CAPACITOR	0.1uF 16V K		C340	NCB21CK-105X	C CAPACITOR	1uF 16V K	
C14	NCB31CK-104X	C CAPACITOR	0.1uF 16V K		C341	NCB21CK-105X	C CAPACITOR	1uF 16V K	
C15	NCB31CK-104X	C CAPACITOR	0.1uF 16V K		C347	NCB31CK-104X	C CAPACITOR	0.1uF 16V K	
C16	NCB31CK-104X	C CAPACITOR	0.1uF 16V K		C348	NCB31CK-104X	C CAPACITOR	0.1uF 16V K	
C17	NCB31CK-104X	C CAPACITOR	0.1uF 16V K		C349	NCB31CK-104X	C CAPACITOR	0.1uF 16V K	
C18	NCB31CK-104X	C CAPACITOR	0.1uF 16V K		C350	NCB31CK-104X	C CAPACITOR	0.1uF 16V K	
C19	NCB31CK-104X	C CAPACITOR	0.1uF 16V K		C351	NCB31CK-104X	C CAPACITOR	0.1uF 16V K	
C20	NCB31CK-104X	C CAPACITOR	0.1uF 16V K		C352	NCB31CK-104X	C CAPACITOR	0.1uF 16V K	
C21	NCB31CK-104X	C CAPACITOR	0.1uF 16V K		C356	NCB21CK-105X	C CAPACITOR	1uF 16V K	
C101	NCB31CK-104X	C CAPACITOR	0.1uF 16V K		C364	NBE40JM-476X	TA E CAPACITOR	47uF 6.3V M	
C102	NCB31CK-104X	C CAPACITOR	0.1uF 16V K		C365	NCB31CK-104X	C CAPACITOR	0.1uF 16V K	
C103	NCB31CK-104X	C CAPACITOR	0.1uF 16V K		C366	NCB21CK-105X	C CAPACITOR	1uF 16V K	
C104	NCB31CK-104X	C CAPACITOR	0.1uF 16V K		C369	NBE40JM-476X	TA E CAPACITOR	47uF 6.3V M	
C105	NBE41AM-476X	TA E CAPACITOR	47uF 10V M		C371	NCB21CK-105X	C CAPACITOR	1uF 16V K	
C106	NBE41AM-476X	TA E CAPACITOR	47uF 10V M		C380	NCB31CK-104X	C CAPACITOR	0.1uF 16V K	
C107	NCB31CK-104X	C CAPACITOR	0.1uF 16V K		C384	NCB31CK-104X	C CAPACITOR	0.1uF 16V K	
C108	NBE41AM-476X	TA E CAPACITOR	47uF 10V M		C391	NCB31CK-104X	C CAPACITOR	0.1uF 16V K	
C111	NCB31CK-104X	C CAPACITOR	0.1uF 16V K		C392	NCB31CK-104X	C CAPACITOR	0.1uF 16V K	
C112	NCB31CK-104X	C CAPACITOR	0.1uF 16V K		C393	NCB31CK-104X	C CAPACITOR	0.1uF 16V K	
C113	NCB31CK-104X	C CAPACITOR	0.1uF 16V K		C395	NCB31CK-104X	C CAPACITOR	0.1uF 16V K	
C201	NEAF1CM-107X	E CAPACITOR	100uF 16V M		C396	NCB31CK-104X	C CAPACITOR	0.1uF 16V K	
C202	NCB31CK-104X	C CAPACITOR	0.1uF 16V K		C397	NBE20JM-226X	TA E CAPACITOR	22uF 6.3V M	
C203	NCS31HJ-271X	C CAPACITOR	270pF 50V J		C398	NCB31CK-104X	C CAPACITOR	0.1uF 16V K	
C204	NDC31HJ-151X	C CAPACITOR	150pF 50V J		C399	NCB31CK-104X	C CAPACITOR	0.1uF 16V K	
C205	NCB31HK-681X	C CAPACITOR	680pF 50V K		C401	NCB31CK-104X	C CAPACITOR	0.1uF 16V K	
C206	NCB31HK-561X	C CAPACITOR	560pF 50V K		C402	NBE41AM-476X	TA E CAPACITOR	47uF 10V M	
C211	NEAF1CM-107X	E CAPACITOR	100uF 16V M		C403	NCB31HK-331X	C CAPACITOR	330pF 50V K	
C212	NCB31CK-104X	C CAPACITOR	0.1uF 16V K		C404	NCB31CK-473X	C CAPACITOR	0.047uF 16V K	
C213	NCB31CK-104X	C CAPACITOR	0.1uF 16V K		C411	NCB31CK-104X	C CAPACITOR	0.1uF 16V K	
C221	NCB31HK-223X	C CAPACITOR	0.022uF 50V K		C412	NBE41AM-476X	TA E CAPACITOR	47uF 10V M	
C222	NCB31HK-103X	C CAPACITOR	0.01uF 50V K		C421	NCB31CK-104X	C CAPACITOR	0.1uF 16V K	
C251	NCB31CK-104X	C CAPACITOR	0.1uF 16V K		C422	NBE41AM-476X	TA E CAPACITOR	47uF 10V M	
C252	NEAF1CM-107X	E CAPACITOR	100uF 16V M		C431	NCB31HK-332X	C CAPACITOR	330pF 50V K	
C253	NCB31CK-104X	C CAPACITOR	0.1uF 16V K		C432	NCS31HJ-471X	C CAPACITOR	470pF 50V J	
C254	NBE21AM-106X	TA E CAPACITOR	10uF 10V M		C433	NCS31HJ-471X	C CAPACITOR	470pF 50V J	
C255	NCB31CK-104X	C CAPACITOR	0.1uF 16V K		C451	NCB31CK-104X	C CAPACITOR	0.1uF 16V K	
C256	NCB31CK-473X	C CAPACITOR	0.047uF 16V K		C452	NCB31CK-104X	C CAPACITOR	0.1uF 16V K	
C257	NCB31HK-102X	C CAPACITOR	1000pF 50V K		C453	NCB31CK-104X	C CAPACITOR	0.1uF 16V K	
C258	NCB31HK-102X	C CAPACITOR	1000pF 50V K		C454	NCB31CK-104X	C CAPACITOR	0.1uF 16V K	
C259	NCB31HK-102X	C CAPACITOR	1000pF 50V K		C481	NCB31CK-104X	C CAPACITOR	0.1uF 16V K	
C264	NCB31HK-103X	C CAPACITOR	0.01uF 50V K		C491	NCB31CK-104X	C CAPACITOR	0.1uF 16V K	
C265	NCB31CK-104X	C CAPACITOR	0.1uF 16V K		C521	NCB31CK-104X	C CAPACITOR	0.1uF 16V K	
C266	NCB31CK-104X	C CAPACITOR	0.1uF 16V K		C522	NBE41AM-476X	TA E CAPACITOR	47uF 10V M	
C267	NCB31HK-103X	C CAPACITOR	0.01uF 50V K		C531	NCB31HK-332X	C CAPACITOR	3300pF 50V K	
C268	NCB31HK-153X	C CAPACITOR	0.015uF 50V K		C532	NCS31HJ-471X	C CAPACITOR	470pF 50V J	
C301	NEAF0GM-227X	E CAPACITOR	220uF 4V M		C533	NCS31HJ-471X	C CAPACITOR	470pF 50V J	
C302	NBE40JM-476X	TA E CAPACITOR	47uF 6.3V M						
C305	NCB31CK-104X	C CAPACITOR	0.1uF 16V K		R101	NRSA63J-0R0X	MG RESISTOR	0Ω 1/16W J	
C307	NCB31CK-104X	C CAPACITOR	0.1uF 16V K		R102	NRSA63J-0R0X	MG RESISTOR	0Ω 1/16W J	
C308	NCB31CK-104X	C CAPACITOR	0.1uF 16V K		R103	NRSA63J-243X	MG RESISTOR	24kΩ 1/16W J	
C309	NCB31CK-104X	C CAPACITOR	0.1uF 16V K		R104	NRSA63J-303X	MG RESISTOR	30kΩ 1/16W J	
C310	NCB31HK-102X	C CAPACITOR	1000pF 50V K		R105	NRS125J-270X	MG RESISTOR	27Ω 1/2W J	
C311	NCB31CK-104X	C CAPACITOR	0.1uF 16V K		R106	NRSA63J-2R2X	MG RESISTOR	2.2Ω 1/16W J	
C312	NCB21CK-105X	C CAPACITOR	1uF 16V K		R107	NRSA63J-101X	MG RESISTOR	100Ω 1/16W J	
C313	NCB31CK-104X	C CAPACITOR	0.1uF 16V K		R108	NRSA63J-471X	MG RESISTOR	470Ω 1/16W J	
C314	NCB31CK-104X	C CAPACITOR	0.1uF 16V K		R109	NRSA63J-331X	MG RESISTOR	330Ω 1/16W J	
C315	NCB31CK-104X	C CAPACITOR	0.1uF 16V K		R110	NRSA63J-0R0X	MG RESISTOR	0Ω 1/16W J	
C316	NCB31CK-104X	C CAPACITOR	0.1uF 16V K		R111	NRSA63J-243X	MG RESISTOR	24kΩ 1/16W J	
C317	NCB31CK-104X	C CAPACITOR	0.1uF 16V K		R112	NRSA63J-303X	MG RESISTOR	30kΩ 1/16W J	
C318	NCB31CK-104X	C CAPACITOR	0.1uF 16V K		R113	NRS125J-270X	MG RESISTOR	27Ω 1/2W J	
C319	NCB31CK-104X	C CAPACITOR	0.1uF 16V K		R114	NRSA63J-2R2X	MG RESISTOR	2.2Ω 1/16W J	
C320	NCB31CK-104X	C CAPACITOR	0.1uF 16V K		R115	NRSA63J-101X	MG RESISTOR	100Ω 1/16W J	
C321	NCB31CK-104X	C CAPACITOR	0.1uF 16V K		R116	NRSA63J-471X	MG RESISTOR	470Ω 1/16W J	
C322	NCB31CK-104X	C CAPACITOR	0.1uF 16V K		R117	NRSA63J-331X	MG RESISTOR	330Ω 1/16W J	
C323	NCB31CK-104X	C CAPACITOR	0.1uF 16V K		R118	NRSA63J-0R0X	MG RESISTOR	0Ω 1/16W J	
C324	NCB21CK-105X	C CAPACITOR	1uF 16V K		R119	NRSA63J-0R0X	MG RESISTOR	0Ω 1/16W J	
C325	NDC31HJ-100X	C CAPACITOR	10pF 50V J		R120	NRSA63J-0R0X	MG RESISTOR	0Ω 1/16W J	
C326	NDC31HJ-100X	C CAPACITOR	10pF 50V J		R122	NRSA63J-0R0X	MG RESISTOR	0Ω 1/16W J	
C330	NCB31CK-104X	C CAPACITOR	0.1uF 16V K		R123	NRSA63J-0R0X	MG RESISTOR	0Ω 1/16W J	
C331	NCB31CK-333X	C CAPACITOR	0.033uF 16V K		R125	NRS125J-1R0X	MG RESISTOR	1Ω 1/2W J	
C332	NCB31CK-104X	C CAPACITOR	0.1uF 16V K		R126	NRSA02J-330X	MG RESISTOR	33Ω 1/10W J	

△ Symbol No.	Part No.	Part Name	Description	Local	△ Symbol No.	Part No.	Part Name	Description	Local
R201	NRS125J-1R0X	MG RESISTOR	1Ω 1/2W J		R358	NRSA63J-0R0X	MG RESISTOR	0Ω 1/16W J	
R202	NRSA63J-473X	MG RESISTOR	47kΩ 1/16W J		R359	NRSA63J-750X	MG RESISTOR	75Ω 1/16W J	
R203	NRSA63J-303X	MG RESISTOR	30kΩ 1/16W J		R360	NRSA63J-750X	MG RESISTOR	75Ω 1/16W J	
R204	NRSA63J-273X	MG RESISTOR	27kΩ 1/16W J		R361	NQL093K-1R8X	COIL	1.8uH K	
R205	NRSA63J-273X	MG RESISTOR	27kΩ 1/16W J		R362	NRSA63J-0R0X	MG RESISTOR	0Ω 1/16W J	
R206	NRSA63J-0R0X	MG RESISTOR	0Ω 1/16W J		R363	NRSA63J-151X	MG RESISTOR	150Ω 1/16W J	
R207	NRSA63J-0R0X	MG RESISTOR	0Ω 1/16W J		R364	NRSA63J-151X	MG RESISTOR	150Ω 1/16W J	
R208	NRSA63J-203X	MG RESISTOR	20kΩ 1/16W J		R365	NRSA63D-911X	MG RESISTOR	910Ω 1/16W D	
R209	NRSA63J-223X	MG RESISTOR	22kΩ 1/16W J		R366	NRSA63D-202X	MG RESISTOR	2kΩ 1/16W D	
R211	NRSA63J-0R0X	MG RESISTOR	0Ω 1/16W J		R370	NRSA63J-103X	MG RESISTOR	10kΩ 1/16W J	
R219	NRSA63J-153X	MG RESISTOR	15kΩ 1/16W J		R372	NRSA63J-331X	MG RESISTOR	330Ω 1/16W J	
R220	NRSA63J-183X	MG RESISTOR	18kΩ 1/16W J		R373	NRSA63J-331X	MG RESISTOR	330Ω 1/16W J	
R221	NRSA63J-103X	MG RESISTOR	10kΩ 1/16W J		R380	NRSA63J-102X	MG RESISTOR	1kΩ 1/16W J	
R222	NRSA63J-103X	MG RESISTOR	10kΩ 1/16W J		R384	NRSA63J-102X	MG RESISTOR	1kΩ 1/16W J	
R223	NRSA63J-0R0X	MG RESISTOR	0Ω 1/16W J		R385	NRSA63J-102X	MG RESISTOR	1kΩ 1/16W J	
R224	NRSA63J-103X	MG RESISTOR	10kΩ 1/16W J		R386	NRSA63J-0R0X	MG RESISTOR	0Ω 1/16W J	
R231	NRSA63J-272X	MG RESISTOR	2.7kΩ 1/16W J		R390	NRSA63J-103X	MG RESISTOR	10kΩ 1/16W J	
R232	NRSA63J-153X	MG RESISTOR	15kΩ 1/16W J		R391	NRSA63J-0R0X	MG RESISTOR	0Ω 1/16W J	
R233	NRSA63J-0R0X	MG RESISTOR	0Ω 1/16W J		R392	NRSA63J-0R0X	MG RESISTOR	0Ω 1/16W J	
R234	NRSA63J-394X	MG RESISTOR	390kΩ 1/16W J		R393	NRSA63J-121X	MG RESISTOR	120Ω 1/16W J	
R235	NRSA63J-682X	MG RESISTOR	6.8kΩ 1/16W J		R394	NRSA63J-121X	MG RESISTOR	120Ω 1/16W J	
R251	NRS125J-R47X	MG RESISTOR	0.47Ω 1/2W J		R396	NRSA63J-473X	MG RESISTOR	47kΩ 1/16W J	
R252	NRSA63J-103X	MG RESISTOR	10kΩ 1/16W J		R399	NRSA63J-0R0X	MG RESISTOR	0Ω 1/16W J	
R253	NRSA63J-0R0X	MG RESISTOR	0Ω 1/16W J		R401	NRSA63J-100X	MG RESISTOR	10Ω 1/16W J	
R254	NRSA63J-103X	MG RESISTOR	10kΩ 1/16W J		R402	NRSA63J-4R7X	MG RESISTOR	4.7Ω 1/16W J	
R255	NRSA63J-203X	MG RESISTOR	20kΩ 1/16W J		R403	NRSA63J-0R0X	MG RESISTOR	0Ω 1/16W J	
R256	NRSA63J-470X	MG RESISTOR	47Ω 1/16W J		R404	NRSA63J-473X	MG RESISTOR	47kΩ 1/16W J	
R257	NRSA63J-0R0X	MG RESISTOR	0Ω 1/16W J		R411	NRSA63J-100X	MG RESISTOR	10Ω 1/16W J	
R258	NRSA63J-103X	MG RESISTOR	10kΩ 1/16W J		R421	NRSA63J-102X	MG RESISTOR	1kΩ 1/16W J	
R259	NRSA63J-103X	MG RESISTOR	10kΩ 1/16W J		R422	NRSA63J-102X	MG RESISTOR	1kΩ 1/16W J	
R260	NRSA63J-470X	MG RESISTOR	47Ω 1/16W J		R431	NRSA63J-472X	MG RESISTOR	4.7kΩ 1/16W J	
R300	NRSA63J-0R0X	MG RESISTOR	0Ω 1/16W J		R432	NRSA63J-472X	MG RESISTOR	4.7kΩ 1/16W J	
R301	NRSA63J-0R0X	MG RESISTOR	0Ω 1/16W J		R433	NRSA63J-223X	MG RESISTOR	22kΩ 1/16W J	
R303	NRSA63J-270X	MG RESISTOR	27Ω 1/16W J		R434	NRSA63J-201X	MG RESISTOR	200Ω 1/16W J	
R306	NRSA63J-102X	MG RESISTOR	1kΩ 1/16W J		R435	NRSA63J-472X	MG RESISTOR	4.7kΩ 1/16W J	
R307	NRSA63J-102X	MG RESISTOR	1kΩ 1/16W J		R436	NRSA63J-201X	MG RESISTOR	200Ω 1/16W J	
R308	NRSA63J-223X	MG RESISTOR	22kΩ 1/16W J		R437	NRSA63J-472X	MG RESISTOR	4.7kΩ 1/16W J	
R309	NRSA63J-104X	MG RESISTOR	100kΩ 1/16W J		R438	NRSA63J-223X	MG RESISTOR	22kΩ 1/16W J	
R310	NRSA63J-102X	MG RESISTOR	1kΩ 1/16W J		R441	NRSA63J-0R0X	MG RESISTOR	0Ω 1/16W J	
R312	NRSA63J-0R0X	MG RESISTOR	0Ω 1/16W J		R442	NRSA63J-0R0X	MG RESISTOR	0Ω 1/16W J	
R313	NRSA63J-0R0X	MG RESISTOR	0Ω 1/16W J		R481	NRSA63J-103X	MG RESISTOR	10kΩ 1/16W J	
R314	NRSA63J-0R0X	MG RESISTOR	0Ω 1/16W J		R491	NRSA63J-103X	MG RESISTOR	10kΩ 1/16W J	
R315	NRSA63J-0R0X	MG RESISTOR	0Ω 1/16W J		R492	NRSA63J-472X	MG RESISTOR	4.7kΩ 1/16W J	
R316	NRSA63J-0R0X	MG RESISTOR	0Ω 1/16W J		R521	NRSA63J-102X	MG RESISTOR	1kΩ 1/16W J	
R317	NRSA63J-223X	MG RESISTOR	22kΩ 1/16W J		R522	NRSA63J-102X	MG RESISTOR	1kΩ 1/16W J	
R318	NRSA63J-333X	MG RESISTOR	33kΩ 1/16W J		R531	NRSA63J-472X	MG RESISTOR	4.7kΩ 1/16W J	
R319	NRSA63J-223X	MG RESISTOR	22kΩ 1/16W J		R532	NRSA63J-472X	MG RESISTOR	4.7kΩ 1/16W J	
R321	NRSA63J-0R0X	MG RESISTOR	0Ω 1/16W J		R533	NRSA63J-223X	MG RESISTOR	22kΩ 1/16W J	
R322	NRSA63J-0R0X	MG RESISTOR	0Ω 1/16W J		R534	NRSA63J-201X	MG RESISTOR	200Ω 1/16W J	
R323	NRSA63J-0R0X	MG RESISTOR	0Ω 1/16W J		R535	NRSA63J-472X	MG RESISTOR	4.7kΩ 1/16W J	
R325	NRSA63J-161X	MG RESISTOR	160Ω 1/16W J		R536	NRSA63J-201X	MG RESISTOR	200Ω 1/16W J	
R326	NRSA63J-101X	MG RESISTOR	100Ω 1/16W J		R537	NRSA63J-472X	MG RESISTOR	4.7kΩ 1/16W J	
R327	NRSA63J-101X	MG RESISTOR	100Ω 1/16W J		R538	NRSA63J-223X	MG RESISTOR	22kΩ 1/16W J	
R328	NRSA63J-101X	MG RESISTOR	100Ω 1/16W J		R605	NRSA63J-0R0X	MG RESISTOR	0Ω 1/16W J	
R329	NRSA63J-101X	MG RESISTOR	100Ω 1/16W J		R606	NRSA63J-0R0X	MG RESISTOR	0Ω 1/16W J	
R332	NRSA63J-102X	MG RESISTOR	1kΩ 1/16W J		L303	NQL044K-100X	COIL	0.26Ω 10uH K	
R333	NRSA63J-163X	MG RESISTOR	16kΩ 1/16W J		L305	NQL093K-1R8X	COIL	1.8uH K	
R334	NRSA63J-151X	MG RESISTOR	150Ω 1/16W J		L306	NQL093K-1R8X	COIL	1.8uH K	
R335	NRSA63J-151X	MG RESISTOR	150Ω 1/16W J		L307	NQL093K-1R8X	COIL	1.8uH K	
R336	NRSA63J-151X	MG RESISTOR	150Ω 1/16W J		L451	NQL044K-100X	COIL	0.26Ω 10uH K	
R337	NRSA63J-151X	MG RESISTOR	150Ω 1/16W J						
R338	NRSA63J-0R0X	MG RESISTOR	0Ω 1/16W J						
R339	NRSA63J-0R0X	MG RESISTOR	0Ω 1/16W J		CN101	QGF0522F1-30W	CONNECTOR	FFC/FPC (1-30)	
R340	NRSA63D-303X	MG RESISTOR	30kΩ 1/16W D		CN201	QGF1038F1-11X	CONNECTOR	FFC/FPC (1-11)	
R345	NRSA63J-0R0X	MG RESISTOR	0Ω 1/16W J		CN202	QGF0523F1-05W	CONNECTOR	FFC/FPC (1-5)	
R346	NRSA63J-473X	MG RESISTOR	47kΩ 1/16W J		CN402	QGF0522F1-06W	CONNECTOR	FFC/FPC (1-6)	
R347	NRSA63J-473X	MG RESISTOR	47kΩ 1/16W J		CN403	QGF0534F1-45X	CONNECTOR	FFC/FPC (1-45)	
R348	NRSA63J-473X	MG RESISTOR	47kΩ 1/16W J		K101	NQR0007-002X	FERRITE BEADS		
R349	NRSA63J-473X	MG RESISTOR	47kΩ 1/16W J		K102	NQR0007-002X	FERRITE BEADS		
R350	NRSA63J-750X	MG RESISTOR	75Ω 1/16W J		K301	NQR0502-001X	FERRITE BEADS		
R351	NRSA63J-102X	MG RESISTOR	1kΩ 1/16W J		K311	NQR0129-002X	FERRITE BEADS		
R352	NRSA63J-105X	MG RESISTOR	1MΩ 1/16W J		K399	NQR0502-001X	FERRITE BEADS		
R353	NRSA63J-101X	MG RESISTOR	100Ω 1/16W J		K401	NQR0022-005X	FERRITE BEADS		
R354	NRSA63J-101X	MG RESISTOR	100Ω 1/16W J		K402	NQR0022-005X	FERRITE BEADS		
R355	NRSA63J-0R0X	MG RESISTOR	0Ω 1/16W J		K403	NQR0022-005X	FERRITE BEADS		
R356	NRSA63J-0R0X	MG RESISTOR	0Ω 1/16W J		K404	NQR0022-005X	FERRITE BEADS		
R357	NRSA63J-0R0X	MG RESISTOR	0Ω 1/16W J		K405	NQR0022-005X	FERRITE BEADS		

Symbol No.	Part No.	Part Name	Description	Local
K406	NQR0022-005X	FERRITE BEADS		
K407	NQR0022-005X	FERRITE BEADS		
K425	NQL093K-1R8X	COIL	1.8uH K	
K441	NQR0022-005X	FERRITE BEADS		
K442	NQR0022-005X	FERRITE BEADS		
K443	NQR0022-005X	FERRITE BEADS		
K444	NQR0022-005X	FERRITE BEADS		
K445	NQR0022-005X	FERRITE BEADS		
K451	NQR0022-005X	FERRITE BEADS		
K452	NQR0022-005X	FERRITE BEADS		
K601	NQR0022-005X	FERRITE BEADS		
SW4	NSW0184-001X	DETECT SW		
SW5	NSW0183-001X	DETECT SW		
TH491	NAD0025-103X	N THERMISTOR	10k Ω	
X351	NAX0730-001X	CRYSTAL		

Packing materials and accessories parts list

Block No. M 3 M M



Packing and Accessories

Block No. [M][3][M][M]

△ Symbol No.	Part No.	Part Name	Description	Local
A 1	GE20137-003A	MOUNTING SLEEVE		
A 2	GE20149-010A	TRIM PLATE		DV5103UI
A 2	GE20149-007A	TRIM PLATE		DV5104UI
A 3	GET0307-001A	INST BOOK	ENG	
A 4	GET0307-002A	INSTALL MANUAL		
A 5	VKZ4027-202	PLUG NUT		
A 6	VKH4871-003	MOUNT BOLT		
A 7	VKZ4328-003	LOCK NUT		
A 8	QYWWS53A008ZA	WASHER	0mm/5.3mm x (x2)	
A 9	GE40130-002A	HOOK		
A 10	LV41478-002A	CORD CONNECTOR		
A 11	FSJB3002-30C	HARD CASE		
A 12	RM-RK230	REMOCON UNIT		
A 13	-----	BATTERY		
A 14	QAM0455-002	POWER CORD		
KIT	SRW-DV5100J	SCREW PART KIT		
P 1	QPC03004315P	POLY BAG	30cm x 43cm	
P 2	FSPG4002-001	POLY BAG		
P 3	QPA00801205	POLY BAG	8cm x 12cm	
P 4	GE31721-001A	CARTON		DV5103UI
P 4	GE31718-001A	CARTON		DV5104UI
P 5	LV10777-R02A	CUSHION(L)		
P 6	LV10778-R02A	CUSHION(R)		
P 7	FSYH4036-068	SHEET		
P 8	QPA01003003	POLY BAG	10cm x 30cm	